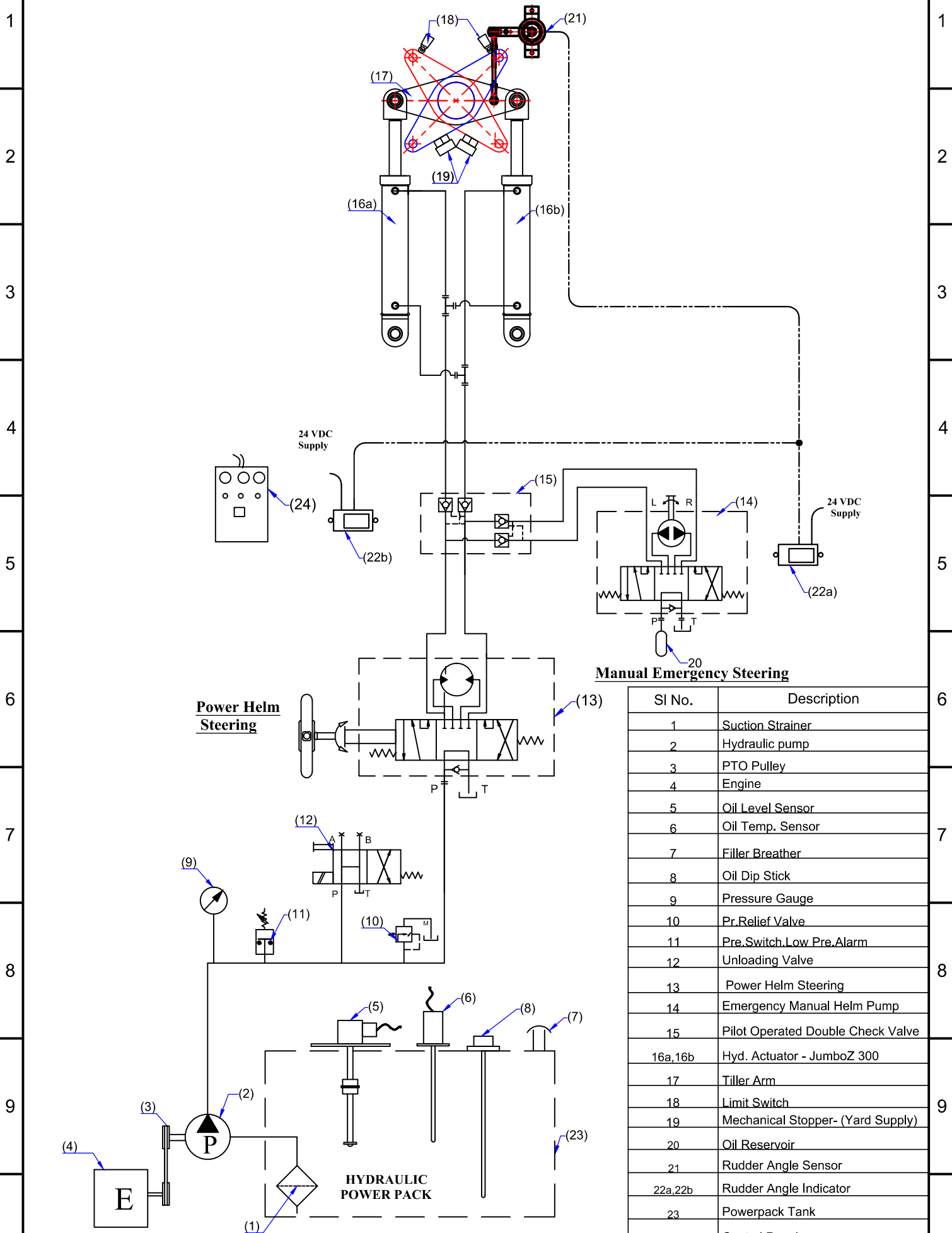


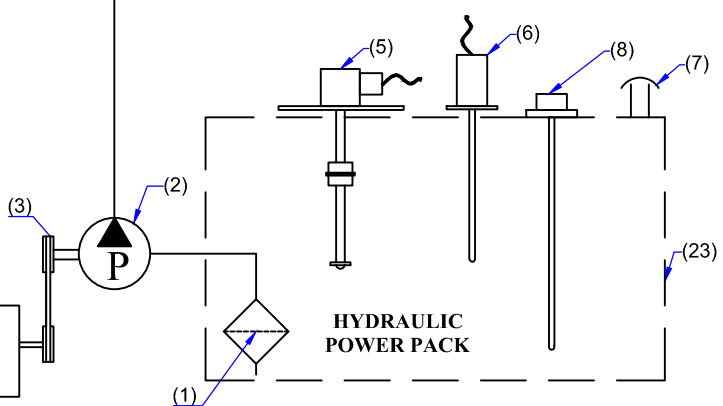
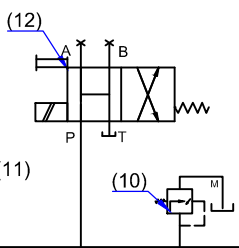
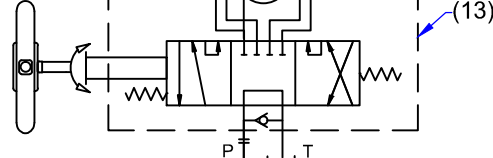
# Electro-Hyd. Circuit - JumboZ-300E PTO with Power Helm



### Manual Emergency Steering

SI No.	Description
1	Suction Strainer
2	Hydraulic pump
3	PTO Pulley
4	Engine
5	Oil Level Sensor
6	Oil Temp. Sensor
7	Filler Breather
8	Oil Dip Stick
9	Pressure Gauge
10	Pr.Relief Valve
11	Pre.Switch.Low Pre.Alarm
12	Unloading Valve
13	Power Helm Steering
14	Emergency Manual Helm Pump
15	Pilot Operated Double Check Valve
16a,16b	Hyd. Actuator - JumboZ 300
17	Tiller Arm
18	Limit Switch
19	Mechanical Stopper- (Yard Supply)
20	Oil Reservoir
21	Rudder Angle Sensor
22a,22b	Rudder Angle Indicator
23	Powerpack Tank
24	Control Panel

**Power Helm Steering**



**MAC ♦ N ♦ HOM SYSTEMS**  
**KOCHI - 20**

**DESIGNATION**

Electro-Hydro. Circuit of JumboZ-300E  
PTO - Power Helm

**DWG. No.**

MHS-1203

**DATE**

06.07.2021